

# TECHNICAL SPECIFICATION

## LOFT LADDER LWK

### I. APPLICATION

Folding section loft ladder designed for use in residential buildings and to be built in the ceiling opening to provide access to the attic spaces.

The LWK Plus is a new generation of insulated loft ladder featuring improved design, therefore it ensures excellent thermal insulation performance and high comfort of use.

### II. STRUCTURE

No.	Element	Description
1	Hatch	Insulated hatch of sandwich type with a thickness of 3.6 cm. Thermal insulation thickness: 3 cm. Finished with HDF board white on both sides. Equipped with a lock.
2	Box	Made of pinewood. Height: 14 cm. Equipped with a peripheral seal.
3	Ladder	Made of pinewood. Ladder width: 34 cm for a size of 55x111cm, 38 cm for other sizes. Stringer height: 8 cm. Distance between treads: 25 cm.
4	Treads	Made of pinewood and equipped with anti-slip profile. Tread width: 8 cm. Tread thickness: 2 cm. Tread length: 30 cm for a size of 55x111cm, 34 cm for other sizes.
5	Standard accessories	Handrail. Stile ends (only 3-section loft ladder). Control rod for opening a hatch.

### III. SIZES

No.	Size	Room height	Number of sections	
1	55 x 111 cm	280	3	
2	60 x 94 cm		4	
3	60 x 100 cm		3	
4	60 x 111 cm			
5	60 x 120 cm			
6	60 x 130 cm		4	
7	70 x 94 cm			
8	70 x 100 cm		305	3
9	70 x 111 cm			
10	70 x 120 cm			
11	70 x 130 cm			
12	70 x 140 cm			
13	60 x 130 cm			
14	60 x 140 cm			
15	70 x 130 cm			
16	70 x 140 cm			

### IV. TECHNICAL PARAMETERS

Description	Value	Standard
Maximum loading	160 kg	EN 14975+A1:2010
Heat transfer coefficient	$U = 1.1 \text{ W/m}^2\text{K}$	PN-EN ISO 10211:2008 i PN-EN ISO 6946:2008



4-section version

3-section version



Accessories compatibility table:



## VI. TECHNICAL SPECIFICATION

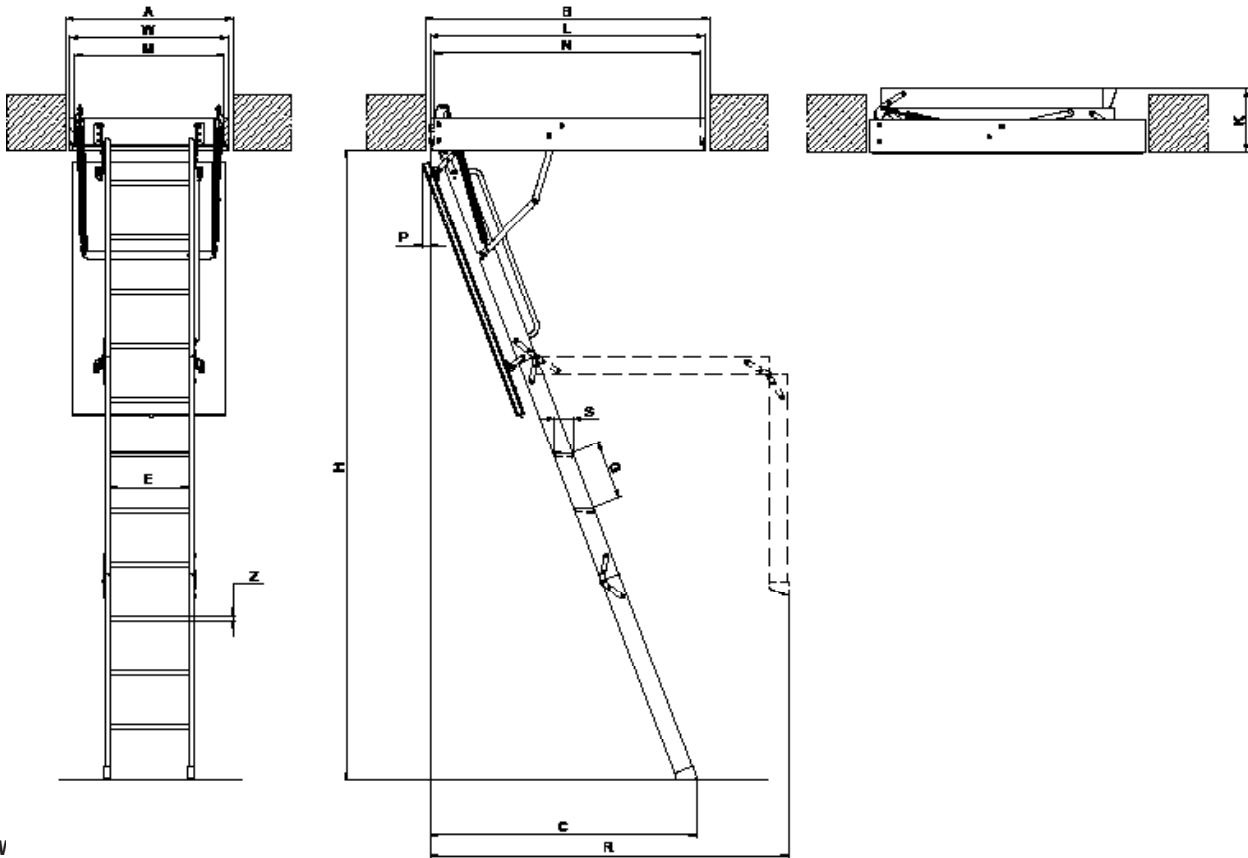
The LWK Plus loft ladder is delivered to the customer fully assembled.

New design of the product (hatch fitted by means of special fasteners, the so-called "clicks") allows for easy and quick installation without the need for entering the attic.

Installation of the loft ladder must be carried out in accordance with the included fitting instructions.

The loft ladder hatch after opening moves away by 4cm from the back edge of the box.

## VII. DETAILED DIMENSIONS



LV

Ceiling opening dimensions [cm]	AxB	55x111	60x94	60x100	60x111	60x120	60x130	70x94	70x100	70x111	70x120	70x130	70x140	60x130	60x140	70x130	70x140
Room height [cm]	H	280															
Minimum room height* [cm]	H min.	232	250	232				250	232				246				
Loft ladder size [cm]	WxL	53 x 109.4	58 x 92.4	58 x 98.4	58 x 109.4	58 x 118.4	58 x 128.4	68 x 92.4	68 x 98.4	68 x 109.4	68 x 118.4	68 x 128.4	68 x 138.4	58 x 128.4	58 x 138.4	68 x 128.4	68 x 138.4
Inside box dimensions [cm]	MxN	49 x 105	54 x 88	54 x 94	54 x 105	54 x 114	54 x 124	64 x 88	64 x 94	64 x 105	64 x 114	64 x 124	64 x 134	54 x 124	54 x 134	64 x 124	64 x 134
Folded loft ladder height [cm]	K	27	35	27				35	27								
Swing space [cm]	R	153	128	153	156	128	153	156	128	153	156	128	153	156	128	153	156
Distance after ladder unfolding [cm]	C	113	114	113	120	114	113	120	113	120	113	120	113	120	113	120	113
Hatch retrace distance after opening [cm]	P	4															
Box height [cm]		14															
Number of sections		3	4	3				4	3								

### LADDER PARAMETERS

Tread length [cm]	E	30	34															
Tread width [cm]	S	8																
Distance between treads [cm]	G	25																
Tread thickness [cm]	Z	2																

\* the ladder length for rooms lower than the maximum height "H" must be adjusted in accordance with the fitting instructions

